

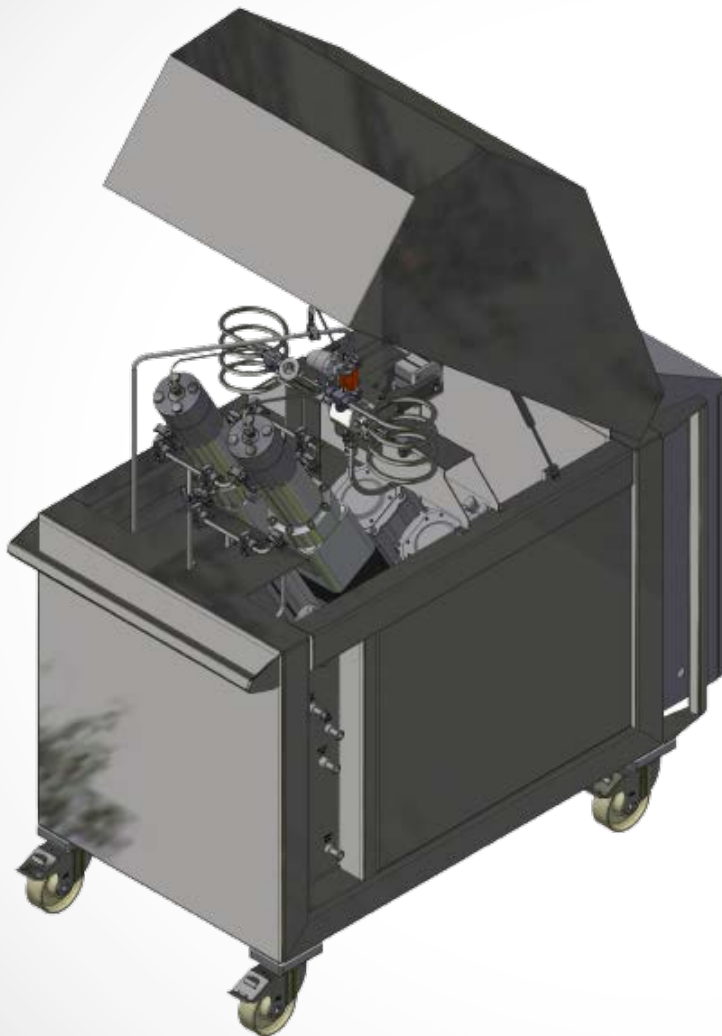


KINEMATICA

Homogenizing perfected.



PHARMA DESIGN



ATOMIX® PHARMA

Order No.	29023005
Size	1200 x 1600 x 750 mm
Weight	ca. 1,000 kg
Max. Pressure	2,500 bar
Max. Volume	1.2 L/min
Max. Power	10 kW
	Double piston pump, electrical drive
	CIP / SIP

WATCH THE VIDEO



ATOMIX®

PILOT PLANT LINE

ATOMIX® High Pressure Homogenizer

Nano-sized droplets and smallest droplet size distribution at higher viscosities.

ATOMIX® High Pressure Homogenizer

The most efficient high pressure homogenizer on the market.

HIGH-PERFORMANCE INTERACTION CHAMBER

- No dead zones
- Uniform droplet sizes
- Cleanable
- Elongated flow for more complex emulsion breakup
- 30% smaller droplets than competitor
- Ideal for higher viscosities
- Desired droplet size in 1 cycle
- Higher sustained pressures than competitors
- Minimal pressure drop results in highly reproducible results
- Easy operation through HMI touchscreen interface

APPLICATIONS

- Nano-emulsions down to 80nm
- Improved nitrogen extraction for algae
- Faster disruption of yeast cells
- Accelerate your extraction



LAB DESIGN

ATOMIX® LAB

Order No.	29023010
Size	1445 x 600 x 666 mm
Weight	ca. 200 kg
Max. Pressure	2,500 bar
Max. Volume	1.2 L/min
Max. Power	6 kW
Single piston pump, electrical drive	



CONTACT US



HEADQUARTERS Kinematica AG / Switzerland / Phone +41 41 259 65 65 / info@kinematica.ch
EUROPE Kinematica GmbH / Germany / Phone +49 7634 504 800 0 / info@kinematica.de
NORTH AND SOUTH AMERICA Kinematica, Inc. / USA / Phone +1 631 750 6653 / info@kinematica-inc.com
GREATER CHINA Kinematica Asia Limited / Hong Kong / Phone +852 249 769 65 / info@kinematica.ch